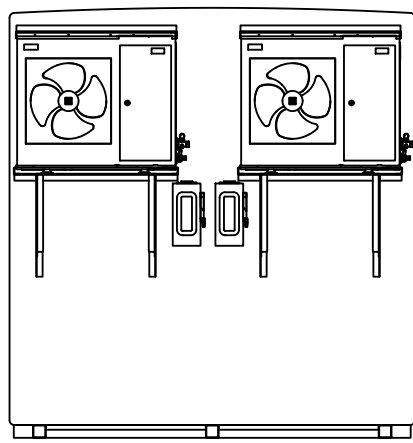


PLAN VIEW

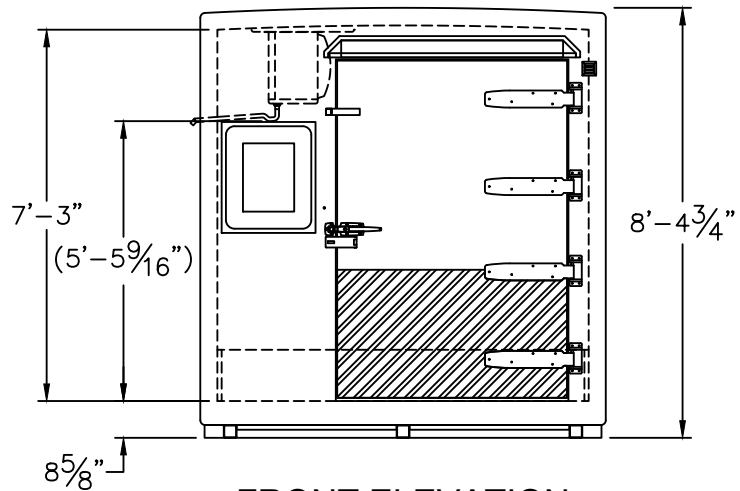
ROOM TEMP.:
 -10°F to 35°F
 INTERIOR AREA:
 140 sq. ft.
 HORSEPOWER:
 (2) 3 hp.
 REFRIGERANT:
 R-404A
 ELEC. SUPPLY
 115/208-230
 PHASE:
 Single
 CYCLE:
 60 hz.
 AMPERAGE:
 (2) 32.9 MCA

XFAP-030Z-CFV

- 4" WALLS
- 4" CROWNED ROOF
- 3" FORK SLOT FRAME
- 1 1/4" PALLET JACK DUTY FLOOR
- PALLET BUMPER GUARD
- STRIP CURTAINS
- SST KICK PLATES
- SHELF MOUNT REFRIGERATION
- REDUNDANT REFRIGERATION
- (2) KE2 THERM CONTROLLERS



REAR ELEVATION



FRONT ELEVATION

DRAWING APPROVAL

PLEASE INDICATE YOUR APPROVAL OF THIS DESIGN, THE DIMENSIONS, DOOR LOCATION/SWING, ELECTRICAL REQUIREMENTS, AND EQUIPMENT LOCATIONS BY SIGNING BELOW AND RETURNING TO POLAR KING.

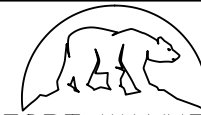
DATE: _____ BY: _____

Polar Leasing

Fort Wayne, Indiana

DRAWN BY: MJR	MODEL NO.: DT820RP	SCALE: 1/4" = 1'-0"	DATE: 6-15-18
------------------	-----------------------	------------------------	------------------

DRAWING NAME:
Polar Leasing DT820RP Fort Wayne IN B1



POLAR KING
 INTERNATIONAL, INC.
 FORT WAYNE, INDIANA 1-800-752-7178

THE REFRIGERATION SYSTEM SHOWN IS DESIGNED TO MAINTAIN INDICATED TEMPERATURE IF PRODUCT ENTERS WITHIN 10°F OF FINAL HOLDING TEMPERATURE. PLEASE CONTACT YOUR SALES REP IF INCOMING PRODUCT WILL BE ENTERING AT HIGHER TEMPERATURES. REFRIGERATION DESIGN IS SUBJECT TO CHANGE FOR IMPROVEMENTS.