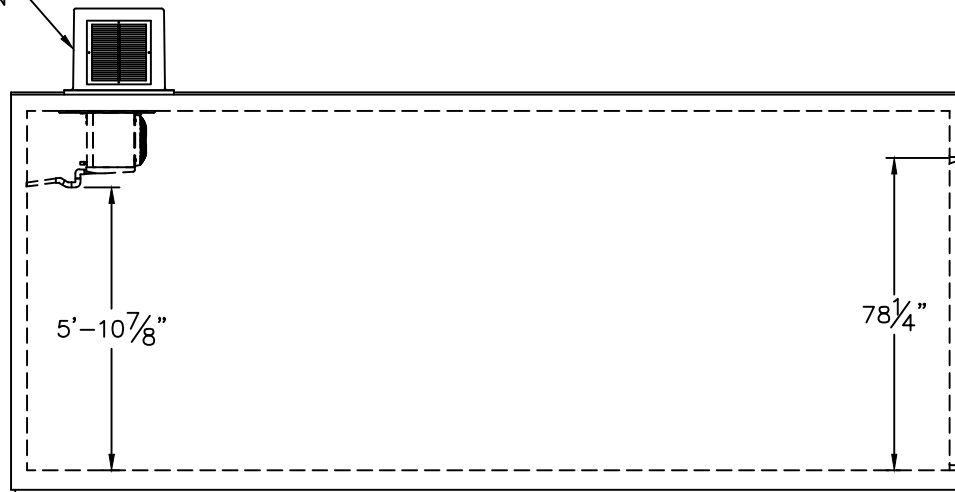
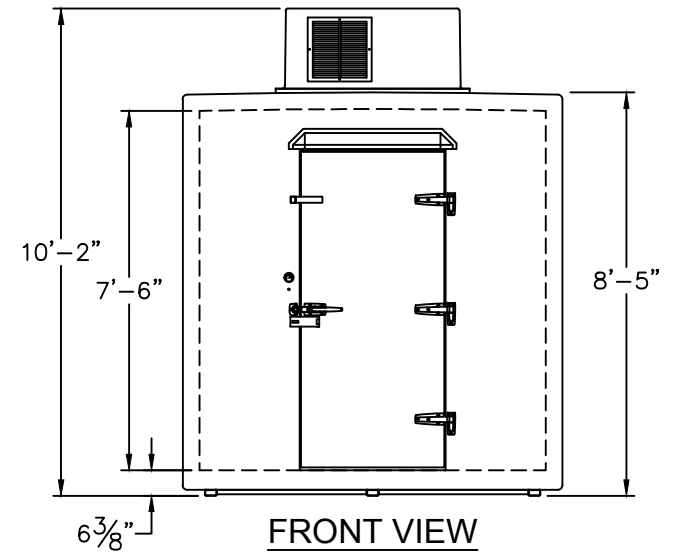


PLAN VIEW

ELECTRICAL CONNECTION LOCATION



ELEVATION VIEW



FRONT VIEW

ROOM TEMP.:
-10°F (-23°C)
INTERIOR AREA:
140 sq. ft.
INTERIOR VOLUME:
1047 cu. ft.
HORSEPOWER:
2 hp.
REFRIGERANT:
R-404A
ELEC. SUPPLY
115/208-230
PHASE:
Single
CYCLE:
60 hz.
AMPERAGE:
26.8 MCA

DRAWN BY: BJS	MODEL NO.: L820	SCALE: 1/4"=1'-0"	DATE: 10-14-16
------------------	--------------------	----------------------	-------------------

DRAWING NAME: Classic Profile L820



**SHORT AND LONG TERM
REFRIGERATION
RENTAL**

THE REFRIGERATION SYSTEM SHOWN IS DESIGNED TO MAINTAIN INDICATED TEMPERATURE IF PRODUCT ENTERS WITHIN 10°F OF FINAL HOLDING TEMPERATURE. PLEASE CONTACT YOUR SALES REP IF INCOMING PRODUCT WILL BE ENTERING AT HIGHER TEMPERATURES.